

ebm-papst Mulfingen GmbH & Co. KG

Bachmühle 2 · D-74673 Mulfingen

Phone +49 7938 81-0

Fax +49 7938 81-110

info1@de.ebmpapst.com

www.ebmpapst.com

Limited partnership · Headquarters Mulfingen

Amtsgericht (court of registration) Stuttgart · HRA 590344

General partner Elektrobau Mulfingen GmbH · Headquarters Mulfingen

Amtsgericht (court of registration) Stuttgart · HRB 590142

Nominal data

| | | | |
|-----------------------------|-----------------------|------|------|
| Type | A4E450-AP01-20 | | |
| Motor | M4E074-GA | | |
| Phase | | 1~ | 1~ |
| Nominal voltage | VAC | 230 | 230 |
| Frequency | Hz | 50 | 60 |
| Method of obtaining data | | fa | fa |
| Valid for approval/standard | | CE | CE |
| Speed (rpm) | min ⁻¹ | 1400 | 1600 |
| Power consumption | W | 245 | 355 |
| Current draw | A | 1.1 | 1.55 |
| Capacitor | µF | 8 | 8 |
| Capacitor voltage | VDB | 400 | 400 |
| Max. back pressure | Pa | 85 | 35 |
| Max. back pressure | in. wg | 0.34 | 0.14 |
| Min. ambient temperature | °C | -25 | -25 |
| Max. ambient temperature | °C | 60 | 40 |
| Starting current | A | 2.8 | 2.6 |

ml = Max. load · me = Max. efficiency · fa = Free air · cs = Customer specification · ce = Customer equipment
Subject to change

Data according to Commission Regulation (EU) 327/2011

| | | Actual | Req. 2015 | | | |
|-----------------------------------|---|--------|-----------|-------------------------------|-------------------|------|
| 01 Overall efficiency η_{es} | % | 32.2 | 30.5 | 09 Power consumption P_e | kW | 0.32 |
| 02 Measurement category | | A | | 09 Air flow q_v | m ³ /h | 3690 |
| 03 Efficiency category | | Static | | 09 Pressure increase p_{fs} | Pa | 101 |
| 04 Efficiency grade N | | 41.7 | 40 | 10 Speed (rpm) n | min ⁻¹ | 1325 |
| 05 Variable speed drive | | No | | 11 Specific ratio* | | 1.00 |

Data obtained at optimum efficiency level.

The ErP data is determined using a motor-impeller combination in a standardized measurement setup.

* Specific ratio = $1 + p_{fs} / 100\,000\text{ Pa}$

LU-33262



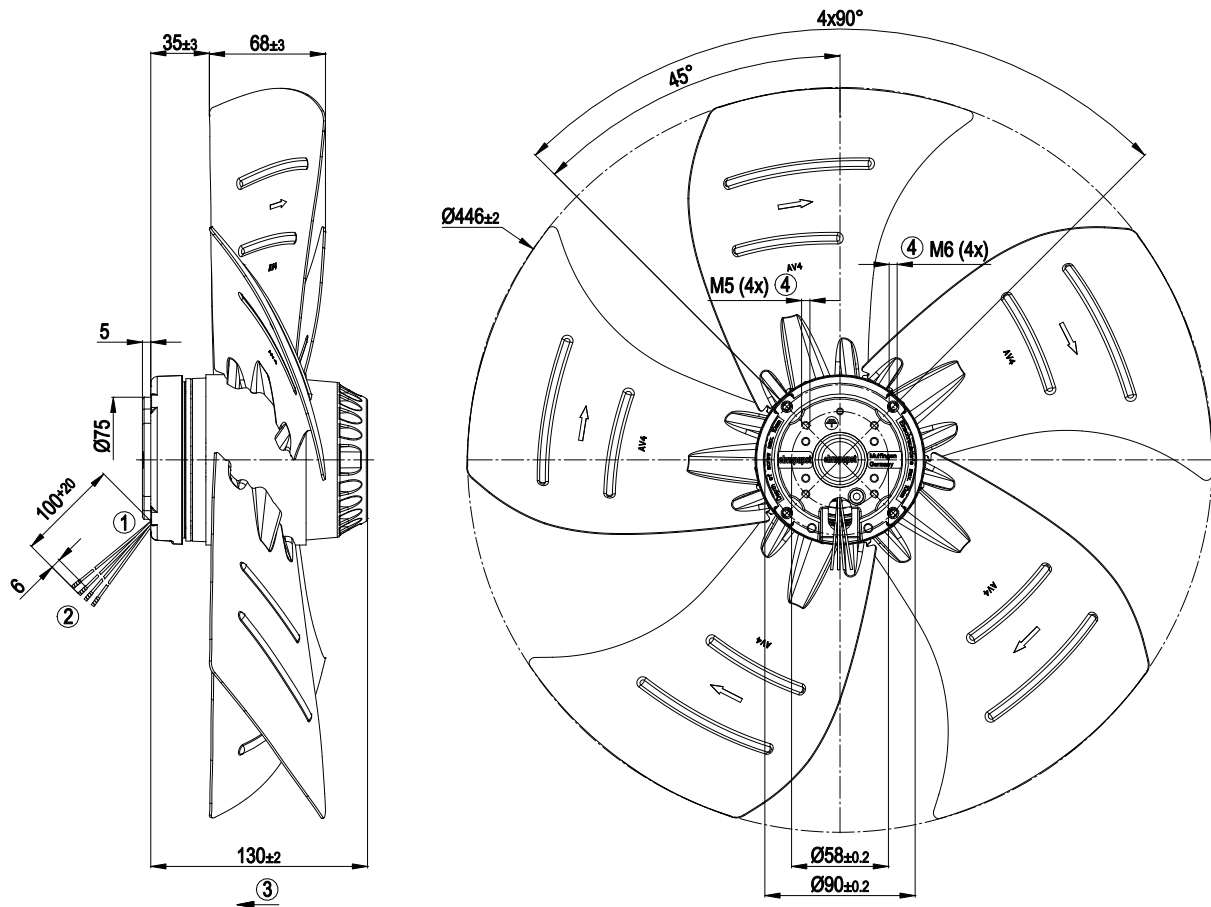
Technical description

| | |
|---|--|
| Weight | 4.9 kg |
| Size | 450 mm |
| Motor size | 74 |
| Rotor surface | Painted black |
| Blade material | Sheet steel, painted black |
| Number of blades | 5 |
| Airflow direction | V |
| Direction of rotation | Counterclockwise, viewed toward rotor |
| Degree of protection | IP44; installation- and position-dependent as per EN 60034-5. The degree of protection is only assured when the intended cable guard and terminal box are installed. |
| Insulation class | "F" |
| Moisture (F) / Environmental (H) protection class | H1 |
| Max. permitted ambient temp. for motor (transport/storage) | + 80 °C |
| Min. permitted ambient temp. for motor (transport/storage) | - 40 °C |
| Installation position | Shaft horizontal or rotor on bottom; rotor on top on request |
| Condensation drainage holes | On rotor side |
| Mode | S1 |
| Motor mounting | Ball bearing |
| Touch current according to IEC 60990 (measuring circuit Fig. 4, TN system) | < 0.75 mA |
| Electrical hookup | Prepared for terminal box installation |
| Motor protection | Thermal overload protector (TOP) internally connected |
| With cable | Variable |
| Protection class | I (with customer connection of protective earth) |
| Conformity with standards | EN 60335-1; CE |
| Approval | CCC; EAC |

AC axial fan

sickle-shaped blades (S series)

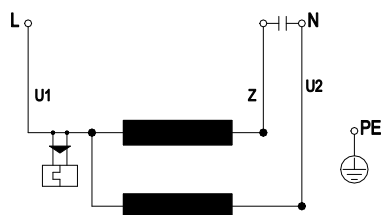
Product drawing



- | | |
|---|--|
| 1 | Accessory part: Terminal box 64443-1-7612 not included in scope of delivery. |
| 2 | Cable halogen-silicone-free 4G 0.5 mm ² , 4x crimped splices |
| 3 | Direction of air flow "V" |
| 4 | Max. clearance for screw 10 mm |

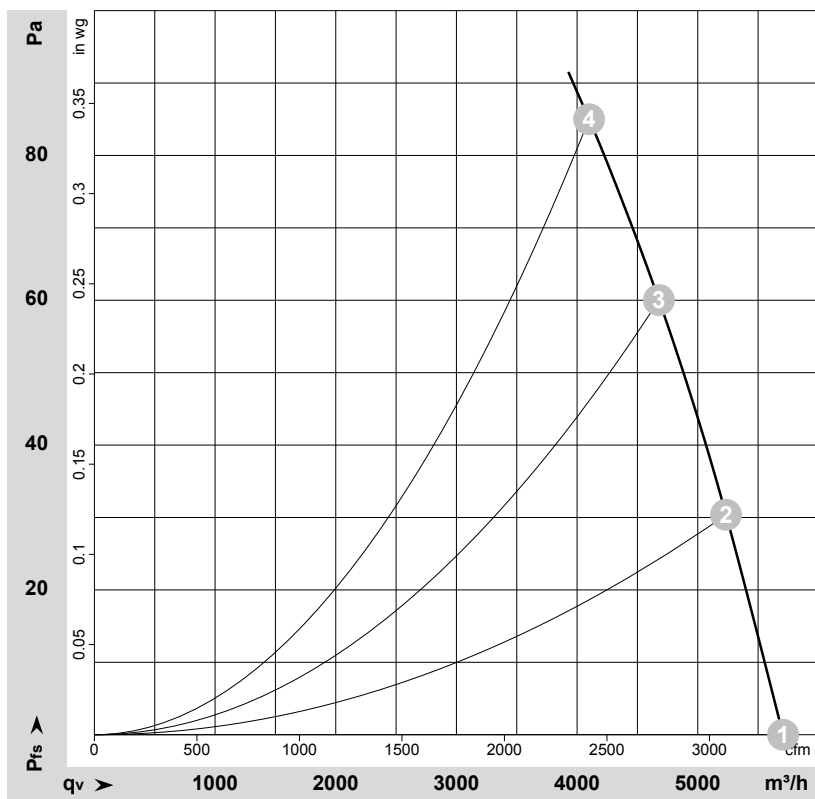


Connection diagram



| | | | | | |
|----|--------------|---|-------|----|-------|
| U1 | blue | Z | brown | U2 | black |
| PE | green/yellow | | | | |

Curves: Air performance 50 Hz



$\rho = 1.15 \text{ kg/m}^3 \pm 2 \%$

Measurement: LU-33262-1

Air performance measured according to ISO 5801 installation category A. For detailed information on the measurement setup, contact ebm-papst. Intake sound level: Sound power level according to ISO 13347 / sound pressure level measured at 1 m distance from fan axis. The values given are valid under the specified measuring conditions and may vary due to conditions of installation. For deviations from the standard configuration, the parameters have to be checked on the installed unit.

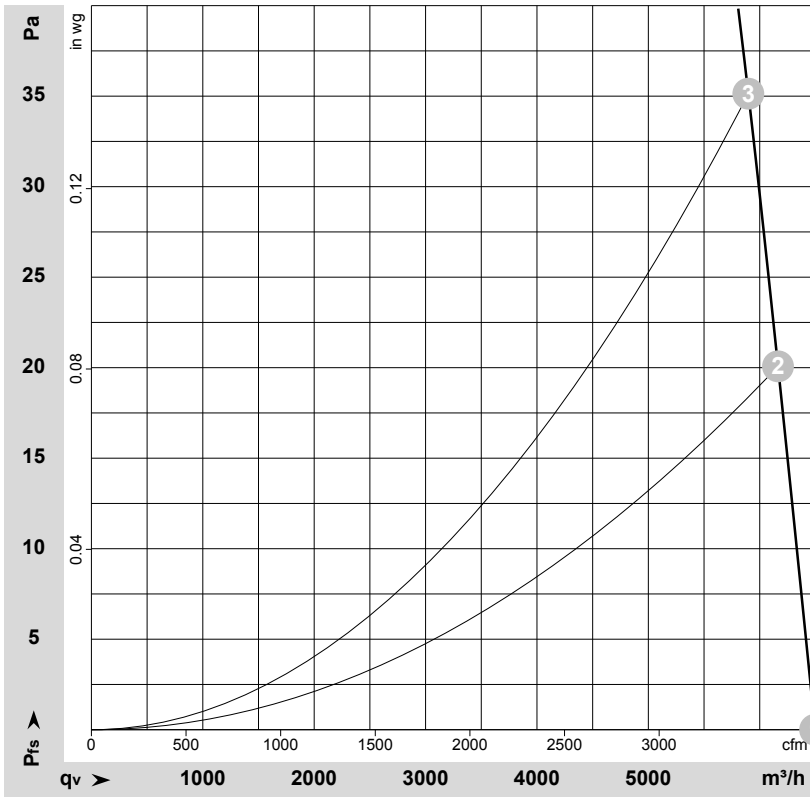
Measured values

| | U | f | n | P _e | I | q _v | P _{fs} | q _v | P _{fs} |
|---|-----|----|-------------------|----------------|------|----------------|-----------------|----------------|-----------------|
| | V | Hz | min ⁻¹ | W | A | m³/h | Pa | cfm | in. wg |
| 1 | 230 | 50 | 1400 | 245 | 1.10 | 5705 | 0 | 3360 | 0.00 |
| 2 | 230 | 50 | 1385 | 265 | 1.19 | 5235 | 30 | 3080 | 0.12 |
| 3 | 230 | 50 | 1365 | 286 | 1.28 | 4680 | 60 | 2755 | 0.24 |
| 4 | 230 | 50 | 1340 | 306 | 1.36 | 4100 | 85 | 2415 | 0.34 |

U = Power supply · f = Frequency · n = Speed (rpm) · P_e = Power consumption · I = Current draw · q_v = Air flow · P_{fs} = Pressure increase



Curves: Air performance 60 Hz



$\rho = 1.15 \text{ kg/m}^3 \pm 2 \%$

Measurement: LU-33263-1

Air performance measured according to ISO 5801 installation category A. For detailed information on the measurement setup, contact ebmpapst. Intake sound level: Sound power level according to ISO 13347 / sound pressure level measured at 1 m distance from fan axis. The values given are valid under the specified measuring conditions and may vary due to conditions of installation. For deviations from the standard configuration, the parameters have to be checked on the installed unit.

Measured values

| | U | f | n | P _e | I | q _v | P _{fs} | q _v | P _{fs} |
|---|-----|----|-------------------|----------------|------|-------------------|-----------------|----------------|-----------------|
| | V | Hz | min ⁻¹ | W | A | m ³ /h | Pa | cfm | in. wg |
| 1 | 230 | 60 | 1600 | 355 | 1.55 | 6495 | 0 | 3825 | 0.00 |
| 2 | 230 | 60 | 1580 | 364 | 1.58 | 6165 | 20 | 3630 | 0.08 |
| 3 | 230 | 60 | 1555 | 377 | 1.64 | 5900 | 35 | 3470 | 0.14 |

U = Power supply · f = Frequency · n = Speed (rpm) · P_e = Power consumption · I = Current draw · q_v = Air flow · P_{fs} = Pressure increase

