

# Energy-saving fans iQC

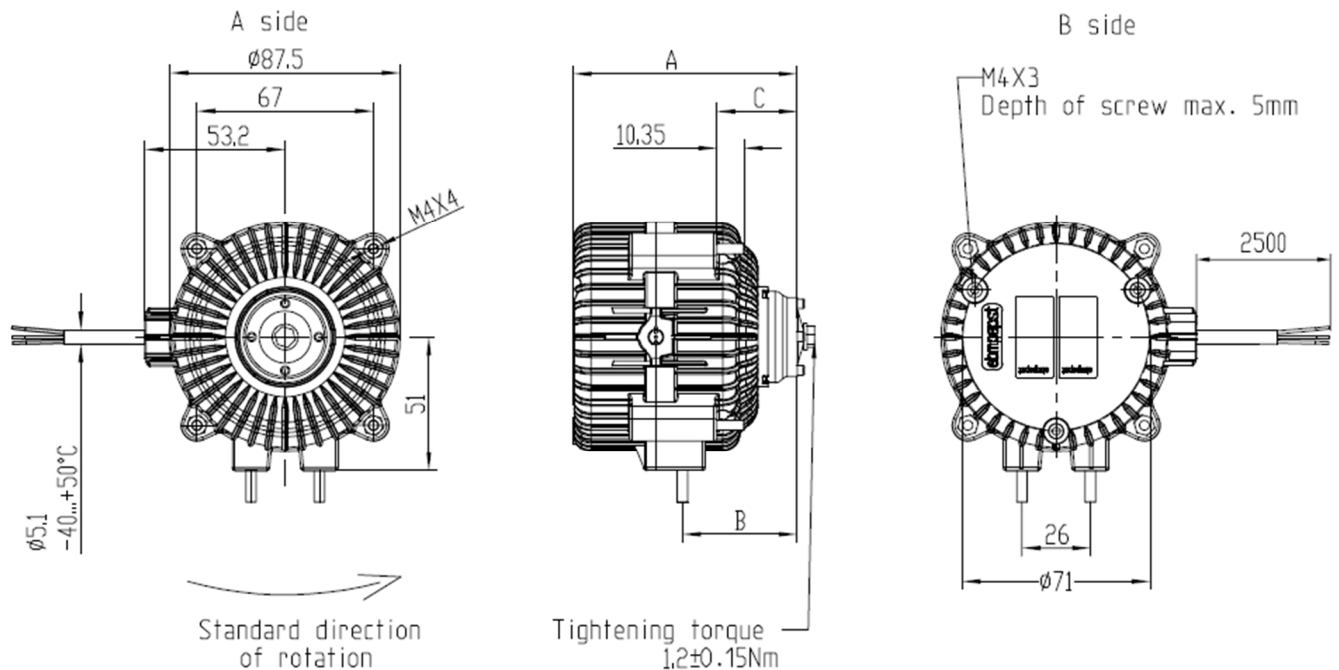
**ebmpapst**

The engineer's choice



## Technical data

Nominal data		Nominal voltage	Frequency	Speed/rpm	Output power	Perm. Amb. Temp.	Mass	Dimensions		
Type	Feature	V	Hz	rpm	W	°C	Kg	A	B	C
iQC3612-040102-C01/A01	2 Speed	220-240V~	50/60	1800/1500	15/12.51	-40..+50	0,5	85	43,5-45,5	30,5



### General overview of data: iQC

<b>Material</b>	PBT	<b>Protection class</b>	II
<b>Direction of air flow</b>	Sucking or blowing (Depending on axial impeller used)	<b>Approvals</b>	CCC; VDE
<b>Direction of rotation</b>	Counterclockwise, seen on shaft end	<b>Mounting attachment parts</b>	Guard grille and wall ring can be attached to the projecting thread ends on the A side
<b>System of protection</b>	IP65	<b>Axial impeller attachment</b>	A plastic adapter with catching peg and M4 screw is used to secure the impeller on the motor shaft
<b>Insulation class</b>	"B"	<b>Wire diagram</b>	<p>Wiring diagram</p> <p>High speed/1-speed: Brown, Black, Blue connected to U and M.</p> <p>Low speed/ ROD: Brown, Black, Blue connected to U and M.</p>
<b>Mounting position</b>	Any		
<b>Mode of operation</b>	Continuous operation (S1)		
<b>Bearing</b>	Maintenance-free ball bearing		
<b>Motor protection</b>	Via electronics		
<b>Electrical connection</b>	Mains cable		
<b>Ambient temperature:</b>	-40°C...+50°C		
<b>Relative humidity:</b>	0...95%		

